

FEATURES

- 1.1A Minimum Output Drive Current
- 35MHz Bandwidth, $A_V = 2$, $R_L = 10\Omega$
- 900V/ μ s Slew Rate, $A_V = 2$, $R_L = 10\Omega$
- High Input Impedance: 10M Ω
- Wide Supply Range: $\pm 5V$ to $\pm 15V$ (TO-220 and DD Packages)
- Enhanced θ_{JA} SO-16 Package for $\pm 5V$ Operation
- Shutdown Mode: $I_S < 200\mu A$
- Adjustable Supply Current
- Stable with $C_L = 10,000pF$
- Available in 7-Lead DD, TO-220 and 16-Lead SO Packages

APPLICATIONS

- Cable Drivers
- Buffers
- Test Equipment Amplifiers
- Video Amplifiers
- ADSL Drivers

DESCRIPTION

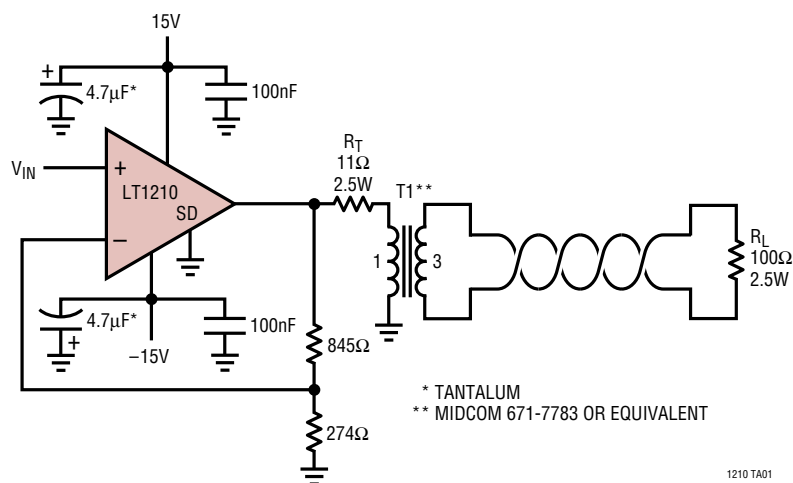
The LT[®]1210 is a current feedback amplifier with high output current and excellent large-signal characteristics. The combination of high slew rate, 1.1A output drive and $\pm 15V$ operation enables the device to deliver significant power at frequencies in the 1MHz to 2MHz range. Short-circuit protection and thermal shutdown ensure the device's ruggedness. The LT1210 is stable with large capacitive loads, and can easily supply the large currents required by the capacitive loading. A shutdown feature switches the device into a high impedance and low supply current mode, reducing dissipation when the device is not in use. For lower bandwidth applications, the supply current can be reduced with a single external resistor.

The LT1210 is available in the TO-220 and DD packages for operation with supplies up to $\pm 15V$. For $\pm 5V$ applications the device is also available in a low thermal resistance SO-16 package.

LT, LT, LTC and LTM are registered trademarks of Linear Technology Corporation. All other trademarks are the property of their respective owners.

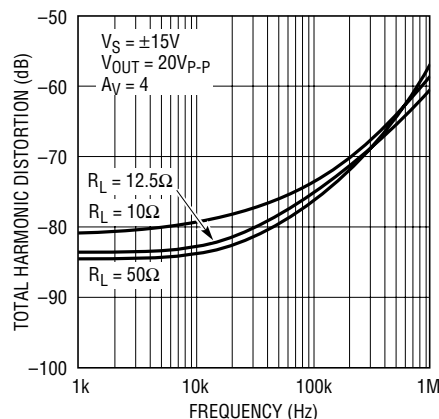
TYPICAL APPLICATION

Twisted Pair Driver



1210 TA01

Total Harmonic Distortion vs Frequency



1210 TA02

ABSOLUTE MAXIMUM RATINGS (Note 1)

| | | | |
|--|-------------|--|----------------|
| Supply Voltage | ±18V | Operating Temperature Range | -40°C to 85°C |
| Input Current | ±15mA | Junction Temperature | 150°C |
| Output Short-Circuit Duration (Note 2) | Continuous | Storage Temperature Range | -65°C to 150°C |
| Specified Temperature Range (Note 3) | 0°C to 70°C | Lead Temperature (Soldering, 10 sec) | 300°C |

PACKAGE/ORDER INFORMATION

| | | |
|---|---|---|
| <p>R PACKAGE 7-LEAD PLASTIC DD</p> <p>$\theta_{JA} = 25^{\circ}\text{C/W}$</p> | <p>S PACKAGE 16-LEAD PLASTIC SO</p> <p>$\theta_{JA} = 40^{\circ}\text{C/W}$ (Note 3)</p> | <p>T7 PACKAGE 7-LEAD TO-220</p> <p>$\theta_{JC} = 5^{\circ}\text{C/W}$</p> |
| ORDER PART NUMBER | ORDER PART NUMBER | ORDER PART NUMBER |
| LT1210CR | LT1210CS | LT1210CT7 |

Order Options Tape and Reel: Add #TR
 Lead Free: Add #PBF Lead Free Tape and Reel: Add #TRPBF
 Lead Free Part Marking: <http://www.linear.com/leadfree/>

Consult LTC Marketing for parts specified with wider operating temperature ranges.

ELECTRICAL CHARACTERISTICS The ● denotes specifications which apply over the full operating temperature range, otherwise specifications are at $T_A = 25^{\circ}\text{C}$. $V_{CM} = 0\text{V}$, $\pm 5\text{V} \leq V_S \leq \pm 15\text{V}$, pulse tested, $V_{SD} = 0\text{V}$, unless otherwise noted.

| SYMBOL | PARAMETER | CONDITIONS | MIN | TYP | MAX | UNITS |
|--------------|-----------------------------|--|-----|------|-------|--------------------------------|
| V_{OS} | Input Offset Voltage | $T_A = 25^{\circ}\text{C}$ | | ±3 | ±15 | mV |
| | Input Offset Voltage Drift | | ● | 10 | ±20 | $\mu\text{V}/^{\circ}\text{C}$ |
| I_{IN}^{+} | Noninverting Input Current | $T_A = 25^{\circ}\text{C}$ | | ±2 | ±5 | μA |
| | | | ● | | ±20 | μA |
| I_{IN}^{-} | Inverting Input Current | $T_A = 25^{\circ}\text{C}$ | | ±10 | ±60 | μA |
| | | | ● | | ±100 | μA |
| e_n | Input Noise Voltage Density | $f = 10\text{kHz}$, $R_F = 1\text{k}$, $R_G = 10\Omega$, $R_S = 0\Omega$ | | 3.0 | | $\text{nV}/\sqrt{\text{Hz}}$ |
| $+i_n$ | Input Noise Current Density | $f = 10\text{kHz}$, $R_F = 1\text{k}$, $R_G = 10\Omega$, $R_S = 10\text{k}$ | | 2.0 | | $\text{pA}/\sqrt{\text{Hz}}$ |
| $-i_n$ | Input Noise Current Density | $f = 10\text{kHz}$, $R_F = 1\text{k}$, $R_G = 10\Omega$, $R_S = 10\text{k}$ | | 40 | | $\text{pA}/\sqrt{\text{Hz}}$ |
| R_{IN} | Input Resistance | $V_{IN} = \pm 12\text{V}$, $V_S = \pm 15\text{V}$ | ● | 1.50 | 10 | $\text{M}\Omega$ |
| | | $V_{IN} = \pm 2\text{V}$, $V_S = \pm 5\text{V}$ | ● | 0.25 | 5 | $\text{M}\Omega$ |
| C_{IN} | Input Capacitance | $V_S = \pm 15\text{V}$ | | 2 | | pF |
| | Input Voltage Range | $V_S = \pm 15\text{V}$ | ● | ±12 | ±13.5 | V |
| | | $V_S = \pm 5\text{V}$ | ● | ±2 | ±3.5 | V |

ELECTRICAL CHARACTERISTICS The ● denotes specifications which apply over the full operating temperature range, otherwise specifications are at $T_A = 25^\circ\text{C}$. $V_{CM} = 0\text{V}$, $\pm 5\text{V} \leq V_S \leq \pm 15\text{V}$, pulse tested, $V_{SD} = 0\text{V}$, unless otherwise noted.

| SYMBOL | PARAMETER | CONDITIONS | MIN | TYP | MAX | UNITS | |
|-----------|--|---|-----|-------------------------|------------|------------------|------------------------|
| CMRR | Common Mode Rejection Ratio | $V_S = \pm 15\text{V}$, $V_{CM} = \pm 12\text{V}$ | ● | 55 | 62 | dB | |
| | | $V_S = \pm 5\text{V}$, $V_{CM} = \pm 2\text{V}$ | ● | 50 | 60 | dB | |
| | Inverting Input Current Common Mode Rejection | $V_S = \pm 15\text{V}$, $V_{CM} = \pm 12\text{V}$ | ● | | 0.1 | 10 | $\mu\text{A}/\text{V}$ |
| | | $V_S = \pm 5\text{V}$, $V_{CM} = \pm 2\text{V}$ | ● | | 0.1 | 10 | $\mu\text{A}/\text{V}$ |
| PSRR | Power Supply Rejection Ratio | $V_S = \pm 5\text{V}$ to $\pm 15\text{V}$ | ● | 60 | 77 | dB | |
| | Noninverting Input Current Power Supply Rejection | $V_S = \pm 5\text{V}$ to $\pm 15\text{V}$ | ● | | 30 | 500 | nA/V |
| | | $V_S = \pm 5\text{V}$ to $\pm 15\text{V}$ | ● | | 0.7 | 5 | $\mu\text{A}/\text{V}$ |
| A_V | Large-Signal Voltage Gain | $T_A = 25^\circ\text{C}$, $V_S = \pm 15\text{V}$, $V_{OUT} = \pm 10\text{V}$, $R_L = 10\Omega$ (Note 3) | | 55 | 71 | dB | |
| | | $V_S = \pm 15\text{V}$, $V_{OUT} = \pm 8.5\text{V}$, $R_L = 10\Omega$ (Note 3) | ● | 55 | 68 | dB | |
| | | $V_S = \pm 5\text{V}$, $V_{OUT} = \pm 2\text{V}$, $R_L = 10\Omega$ | ● | 55 | 68 | dB | |
| R_{OL} | Transresistance, $\Delta V_{OUT}/\Delta I_{IN}^-$ | $T_A = 25^\circ\text{C}$, $V_S = \pm 15\text{V}$, $V_{OUT} = \pm 10\text{V}$, $R_L = 10\Omega$ (Note 3) | | 100 | 260 | k Ω | |
| | | $V_S = \pm 15\text{V}$, $V_{OUT} = \pm 8.5\text{V}$, $R_L = 10\Omega$ (Note 3) | ● | 75 | 200 | k Ω | |
| | | $V_S = \pm 5\text{V}$, $V_{OUT} = \pm 2\text{V}$, $R_L = 10\Omega$ | ● | 75 | 200 | k Ω | |
| V_{OUT} | Maximum Output Voltage Swing | $T_A = 25^\circ\text{C}$, $V_S = \pm 15\text{V}$, $R_L = 10\Omega$ (Note 3) | ● | ± 10.0 ± 8.5 | ± 11.5 | V V | |
| | | $T_A = 25^\circ\text{C}$, $V_S = \pm 5\text{V}$, $R_L = 10\Omega$ | ● | ± 2.5 ± 2.0 | ± 3.0 | V V | |
| I_{OUT} | Maximum Output Current (Note 4) | $V_S = \pm 15\text{V}$, $R_L = 1\Omega$ | ● | 1.1 | 2.0 | A | |
| I_S | Supply Current (Note 4) | $T_A = 25^\circ\text{C}$, $V_S = \pm 15\text{V}$, $V_{SD} = 0\text{V}$ | ● | | 35 | 50 65 | mA mA |
| | | Supply Current, $R_{SD} = 51\text{k}$ (Notes 4, 5) | | | 15 | 30 | mA |
| | Positive Supply Current, Shutdown | $V_S = \pm 15\text{V}$, $V_{SD} = 15\text{V}$ | ● | | 200 | μA | |
| | Output Leakage Current, Shutdown | $V_S = \pm 15\text{V}$, $V_{SD} = 15\text{V}$ | ● | | 10 | μA | |
| SR | Slew Rate (Note 6) Slew Rate (Note 4) | $T_A = 25^\circ\text{C}$, $A_V = 2$, $R_L = 400\Omega$ | | 400 | 900 | V/ μs | |
| | | $T_A = 25^\circ\text{C}$, $A_V = 2$, $R_L = 10\Omega$ | | | 900 | V/ μs | |
| | Differential Gain (Notes 4, 7) | $V_S = \pm 15\text{V}$, $R_F = 750\Omega$, $R_G = 750\Omega$, $R_L = 15\Omega$ | | | 0.3 | % | |
| | Differential Phase (Notes 4, 7) | $V_S = \pm 15\text{V}$, $R_F = 750\Omega$, $R_G = 750\Omega$, $R_L = 15\Omega$ | | | 0.1 | DEG | |
| BW | Small-Signal Bandwidth | $A_V = 2$, $V_S = \pm 15\text{V}$, Peaking $\leq 1\text{dB}$, $R_F = R_G = 680\Omega$, $R_L = 100\Omega$ | | | 55 | MHz | |
| | | $A_V = 2$, $V_S = \pm 15\text{V}$, Peaking $\leq 1\text{dB}$, $R_F = R_G = 576\Omega$, $R_L = 10\Omega$ | | | 35 | MHz | |

Note 1: Stresses beyond those listed under Absolute Maximum Ratings may cause permanent damage to the device. Exposure to any Absolute Maximum Rating condition for extended periods may affect device reliability and lifetime.

Note 2: Applies to short circuits to ground only. A short circuit between the output and either supply may permanently damage the part when operated on supplies greater than $\pm 10\text{V}$.

Note 3: Commercial grade parts are designed to operate over the temperature range of $-40^\circ\text{C} \leq T_A \leq 85^\circ\text{C}$, but are neither tested nor guaranteed beyond $0^\circ\text{C} \leq T_A \leq 70^\circ\text{C}$. Industrial grade parts tested over $-40^\circ\text{C} \leq T_A \leq 85^\circ\text{C}$ are available on special request. Consult factory.

Note 4: SO package is recommended for $\pm 5\text{V}$ supplies only, as the power dissipation of the SO package limits performance on higher supplies. For supply voltages greater than $\pm 5\text{V}$, use the TO-220 or DD package. See "Thermal Considerations" in the Applications Information section for details on calculating junction temperature. If the maximum dissipation of the package is exceeded, the device will go into thermal shutdown.

Note 5: R_{SD} is connected between the Shutdown pin and ground.

Note 6: Slew rate is measured at $\pm 5\text{V}$ on a $\pm 10\text{V}$ output signal while operating on $\pm 15\text{V}$ supplies with $R_F = 1.5\text{k}$, $R_G = 1.5\text{k}$ and $R_L = 400\Omega$.

Note 7: NTSC composite video with an output level of 2V .

SMALL-SIGNAL BANDWIDTH

$R_{SD} = 0\Omega$, $I_S = 30mA$, $V_S = \pm 5V$, Peaking $\leq 1dB$

| A_V | R_L | R_F | R_G | -3dB BW (MHz) |
|-------|-------|-------|-------|---------------|
| -1 | 150 | 549 | 549 | 52.5 |
| | 30 | 590 | 590 | 39.7 |
| | 10 | 619 | 619 | 26.5 |
| 1 | 150 | 604 | - | 53.5 |
| | 30 | 649 | - | 39.7 |
| | 10 | 619 | - | 27.4 |
| 2 | 150 | 562 | 562 | 51.8 |
| | 30 | 590 | 590 | 38.8 |
| | 10 | 576 | 576 | 27.4 |
| 10 | 150 | 392 | 43.2 | 48.4 |
| | 30 | 383 | 42.2 | 40.3 |
| | 10 | 215 | 23.7 | 36.0 |

$R_{SD} = 0\Omega$, $I_S = 35mA$, $V_S = \pm 15V$, Peaking $\leq 1dB$

| A_V | R_L | R_F | R_G | -3dB BW (MHz) |
|-------|-------|-------|-------|---------------|
| -1 | 150 | 604 | 604 | 66.2 |
| | 30 | 649 | 649 | 48.4 |
| | 10 | 665 | 665 | 46.5 |
| 1 | 150 | 750 | - | 56.8 |
| | 30 | 866 | - | 35.4 |
| | 10 | 845 | - | 24.7 |
| 2 | 150 | 665 | 665 | 52.5 |
| | 30 | 715 | 715 | 38.9 |
| | 10 | 576 | 576 | 35.0 |
| 10 | 150 | 453 | 49.9 | 61.5 |
| | 30 | 432 | 47.5 | 43.1 |
| | 10 | 221 | 24.3 | 45.5 |

$R_{SD} = 7.5k$, $I_S = 15mA$, $V_S = \pm 5V$, Peaking $\leq 1dB$

| A_V | R_L | R_F | R_G | -3dB BW (MHz) |
|-------|-------|-------|-------|---------------|
| -1 | 150 | 562 | 562 | 39.7 |
| | 30 | 619 | 619 | 28.9 |
| | 10 | 604 | 604 | 20.5 |
| 1 | 150 | 634 | - | 41.9 |
| | 30 | 681 | - | 29.7 |
| | 10 | 649 | - | 20.7 |
| 2 | 150 | 576 | 576 | 40.2 |
| | 30 | 604 | 604 | 29.6 |
| | 10 | 576 | 576 | 21.6 |
| 10 | 150 | 324 | 35.7 | 39.5 |
| | 30 | 324 | 35.7 | 32.3 |
| | 10 | 210 | 23.2 | 27.7 |

$R_{SD} = 47.5k$, $I_S = 18mA$, $V_S = \pm 15V$, Peaking $\leq 1dB$

| A_V | R_L | R_F | R_G | -3dB BW (MHz) |
|-------|-------|-------|-------|---------------|
| -1 | 150 | 619 | 619 | 47.8 |
| | 30 | 698 | 698 | 32.3 |
| | 10 | 698 | 698 | 22.2 |
| 1 | 150 | 732 | - | 51.4 |
| | 30 | 806 | - | 33.9 |
| | 10 | 768 | - | 22.5 |
| 2 | 150 | 634 | 634 | 48.4 |
| | 30 | 698 | 698 | 33.0 |
| | 10 | 681 | 681 | 22.5 |
| 10 | 150 | 348 | 38.3 | 46.8 |
| | 30 | 357 | 39.2 | 36.7 |
| | 10 | 205 | 22.6 | 31.3 |

$R_{SD} = 15k$, $I_S = 7.5mA$, $V_S = \pm 5V$, Peaking $\leq 1dB$

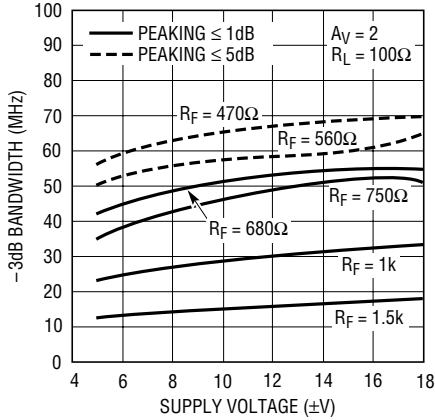
| A_V | R_L | R_F | R_G | -3dB BW (MHz) |
|-------|-------|-------|-------|---------------|
| -1 | 150 | 536 | 536 | 28.2 |
| | 30 | 549 | 549 | 20.0 |
| | 10 | 464 | 464 | 15.0 |
| 1 | 150 | 619 | - | 28.6 |
| | 30 | 634 | - | 19.8 |
| | 10 | 511 | - | 14.9 |
| 2 | 150 | 536 | 536 | 28.3 |
| | 30 | 549 | 549 | 19.9 |
| | 10 | 412 | 412 | 15.7 |
| 10 | 150 | 150 | 16.5 | 31.5 |
| | 30 | 118 | 13.0 | 27.1 |
| | 10 | 100 | 11.0 | 19.4 |

$R_{SD} = 82.5k$, $I_S = 9mA$, $V_S = \pm 15V$, Peaking $\leq 1dB$

| A_V | R_L | R_F | R_G | -3dB BW (MHz) |
|-------|-------|-------|-------|---------------|
| -1 | 150 | 590 | 590 | 34.8 |
| | 30 | 649 | 649 | 22.5 |
| | 10 | 576 | 576 | 16.3 |
| 1 | 150 | 715 | - | 35.5 |
| | 30 | 768 | - | 22.5 |
| | 10 | 649 | - | 16.1 |
| 2 | 150 | 590 | 590 | 35.3 |
| | 30 | 665 | 665 | 22.5 |
| | 10 | 549 | 549 | 16.8 |
| 10 | 150 | 182 | 20.0 | 37.2 |
| | 30 | 182 | 20.0 | 28.9 |
| | 10 | 100 | 11.0 | 22.5 |

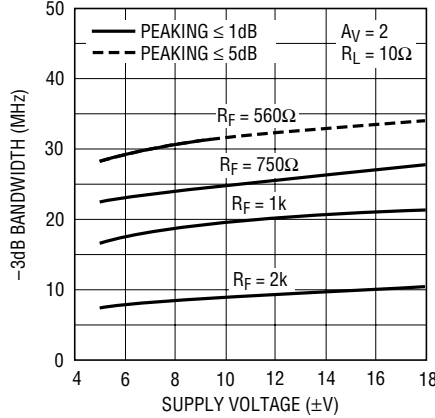
TYPICAL PERFORMANCE CHARACTERISTICS

Bandwidth vs Supply Voltage



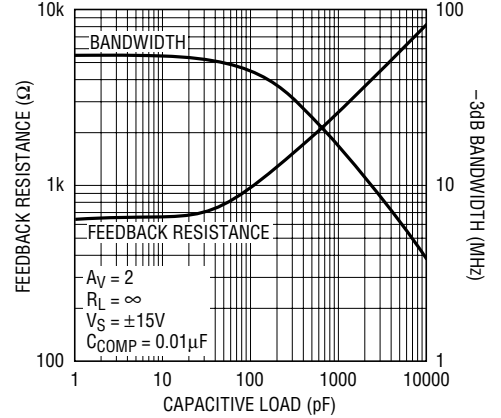
1210 G01

Bandwidth vs Supply Voltage



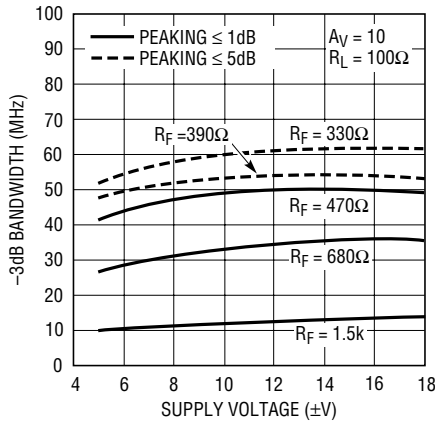
1210 G02

Bandwidth and Feedback Resistance vs Capacitive Load for Peaking ≤ 1dB



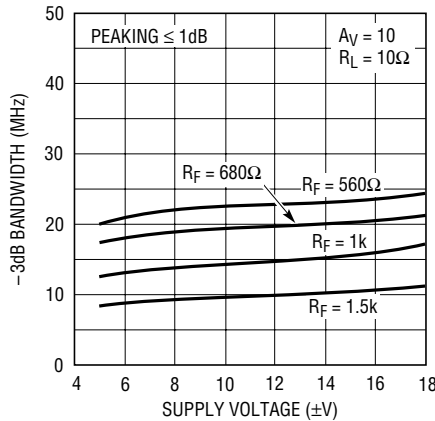
1210 G03

Bandwidth vs Supply Voltage



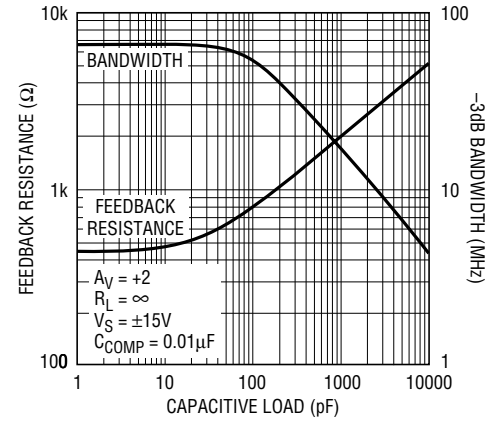
1210 G04

Bandwidth vs Supply Voltage



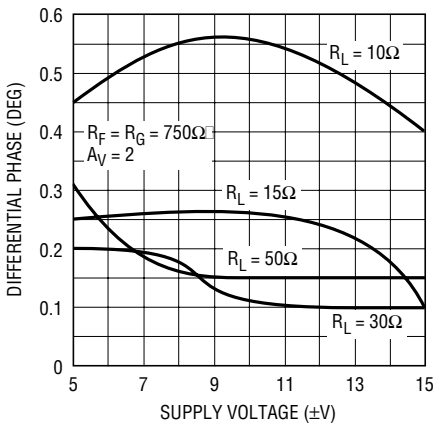
1210 G05

Bandwidth and Feedback Resistance vs Capacitive Load for Peaking ≤ 5dB



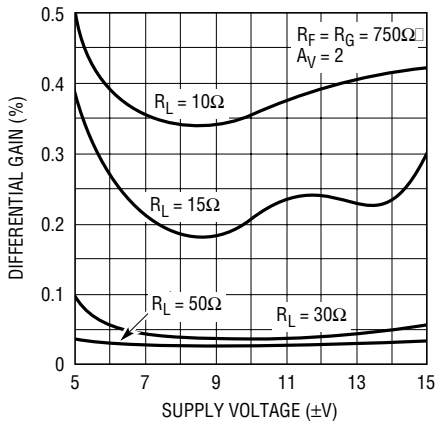
1210 G06

Differential Phase vs Supply Voltage



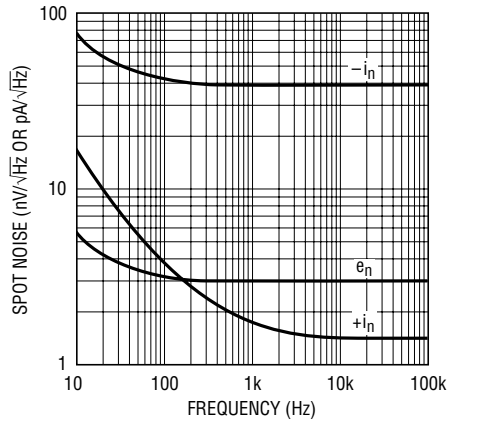
1210 G07

Differential Gain vs Supply Voltage



1210 G08

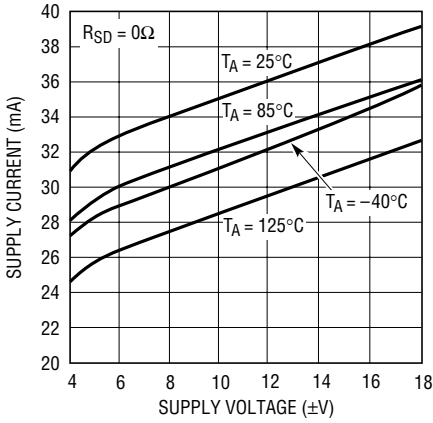
Spot Noise Voltage and Current vs Frequency



1210 G09

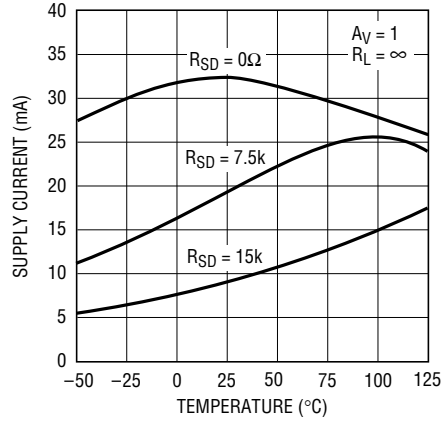
TYPICAL PERFORMANCE CHARACTERISTICS

Supply Current vs Supply Voltage



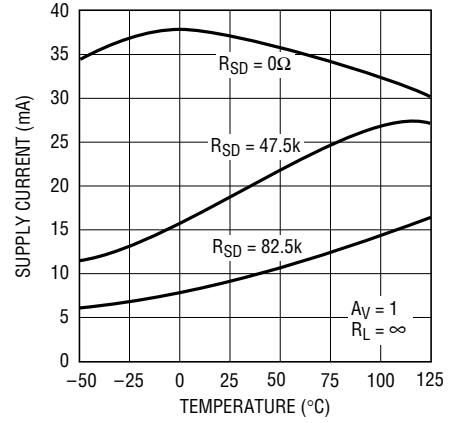
1210 G10

Supply Current vs Ambient Temperature, $V_S = \pm 5V$



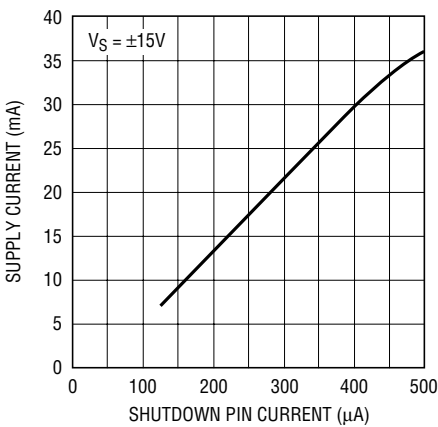
1210 G11

Supply Current vs Ambient Temperature, $V_S = \pm 15V$



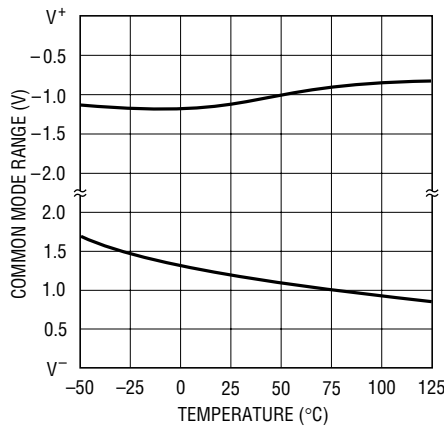
1210 G12

Supply Current vs Shutdown Pin Current



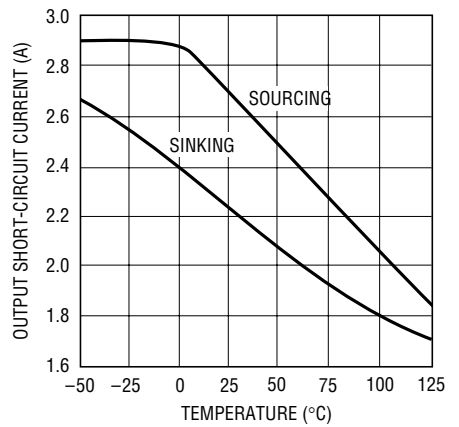
1210 G13

Input Common Mode Limit vs Junction Temperature



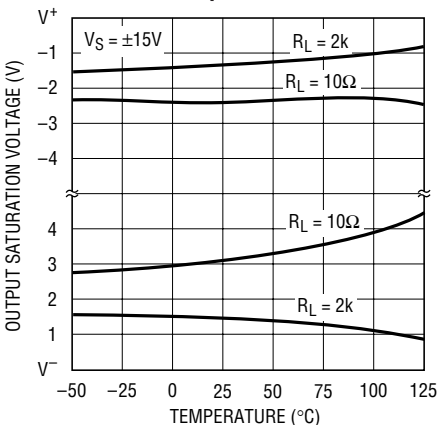
1210 G14

Output Short-Circuit Current vs Junction Temperature



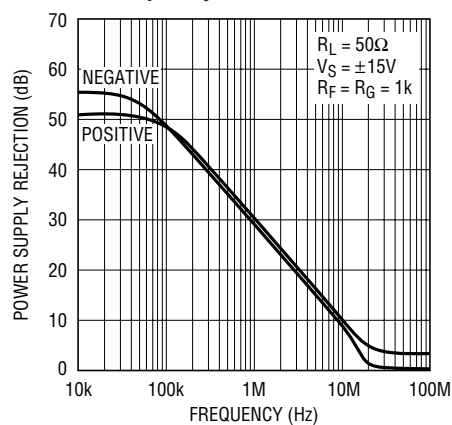
1210 G15

Output Saturation Voltage vs Junction Temperature



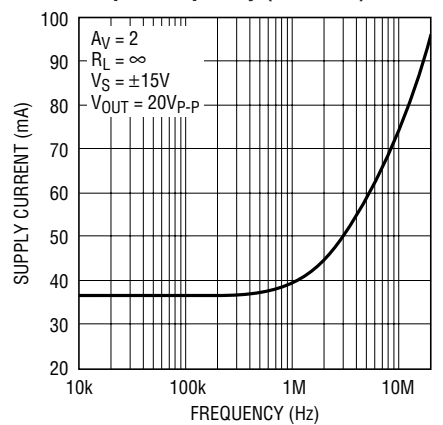
1210 G16

Power Supply Rejection Ratio vs Frequency



1210 G17

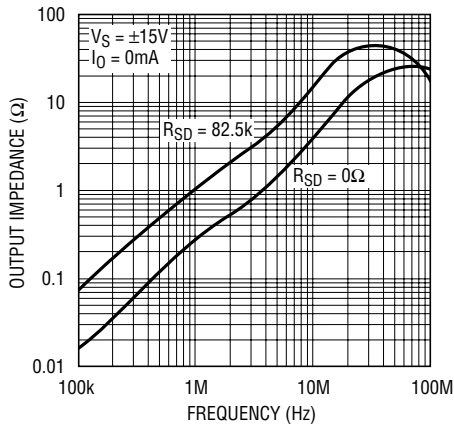
Supply Current vs Large-Signal Output Frequency (No Load)



1210 G18

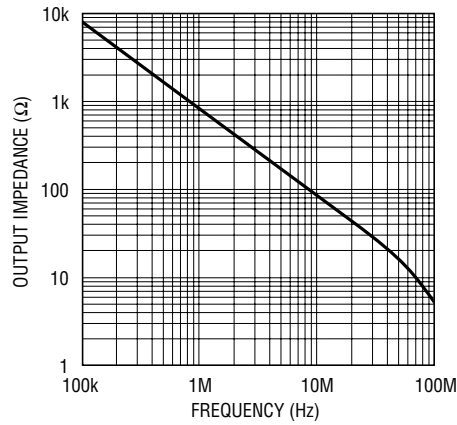
TYPICAL PERFORMANCE CHARACTERISTICS

Output Impedance vs Frequency



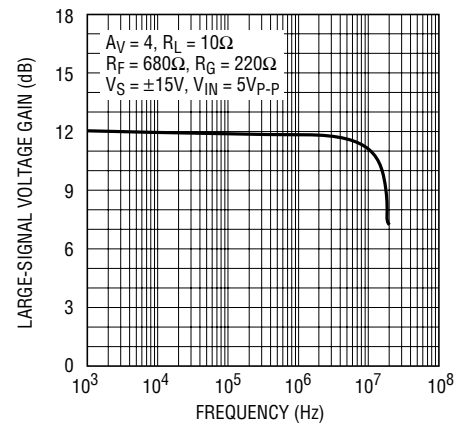
1210 G19

Output Impedance in Shutdown vs Frequency



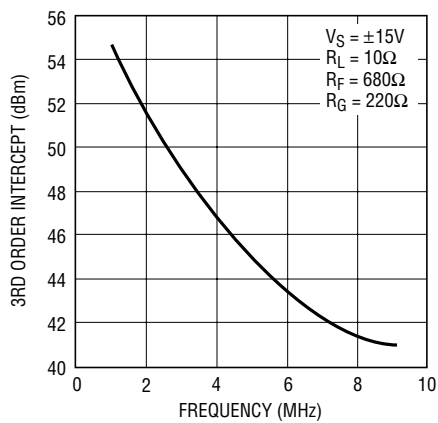
1210 G20

Large-Signal Voltage Gain vs Frequency



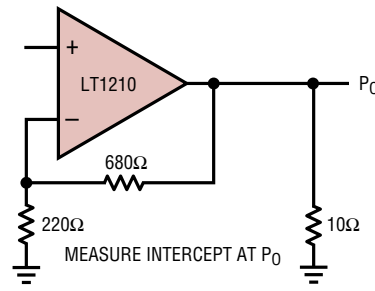
1210 G21

3rd Order Intercept vs Frequency



1210 G22

Test Circuit for 3rd Order Intercept



1210 T001

APPLICATIONS INFORMATION

The LT1210 is a current feedback amplifier with high output current drive capability. The device is stable with large capacitive loads and can easily supply the high currents required by capacitive loads. The amplifier will drive low impedance loads such as cables with excellent linearity at high frequencies.

Feedback Resistor Selection

The optimum value for the feedback resistors is a function of the operating conditions of the device, the load impedance and the desired flatness of response. The Typical AC Performance tables give the values which result in less than 1dB of peaking for various resistive loads and operating conditions. If this level of flatness is not required, a higher bandwidth can be obtained by use of a lower feedback resistor. The characteristic curves of Bandwidth vs Supply Voltage indicate feedback resistors for peaking up to 5dB. These curves use a solid line when the response has less than 1dB of peaking and a dashed line when the response has 1dB to 5dB of peaking. The curves stop where the response has more than 5dB of peaking.

For resistive loads, the COMP pin should be left open (see Capacitive Loads section).

Capacitive Loads

The LT1210 includes an optional compensation network for driving capacitive loads. This network eliminates most of the output stage peaking associated with capacitive loads, allowing the frequency response to be flattened. Figure 1 shows the effect of the network on a 200pF load. Without the optional compensation, there is a 6dB peak at 40MHz caused by the effect of the capacitance on the output stage. Adding a 0.01μF bypass capacitor between the output and the COMP pins connects the compensation and greatly reduces the peaking. A lower value feedback resistor can now be used, resulting in a response which is flat to ±1dB to 40MHz. The network has the greatest effect for C_L in the range of 0pF to 1000pF. The graphs of Bandwidth and Feedback Resistance vs Capacitive Load can be used to select the appropriate value of feedback resistor. The values shown are for 1dB and 5dB peaking at a gain of 2 with no resistive load. This is a worst-case condition, as the amplifier is more stable at higher gains and with some resistive load in parallel with the capaci-

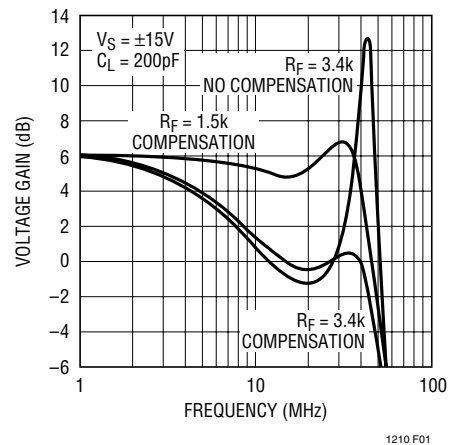


Figure 1

tance. Also shown is the -3dB bandwidth with the suggested feedback resistor vs the load capacitance.

Although the optional compensation works well with capacitive loads, it simply reduces the bandwidth when it is connected with resistive loads. For instance, with a 10Ω load, the bandwidth drops from 35MHz to 26MHz when the compensation is connected. Hence, the compensation was made optional. To disconnect the optional compensation, leave the COMP pin open.

Shutdown/Current Set

If the shutdown feature is not used, the SHUTDOWN pin must be connected to ground or V^- .

The Shutdown pin can be used to either turn off the biasing for the amplifier, reducing the quiescent current to less than 200μA, or to control the quiescent current in normal operation.

The total bias current in the LT1210 is controlled by the current flowing out of the Shutdown pin. When the Shutdown pin is open or driven to the positive supply, the part is shut down. In the shutdown mode, the output looks like a 70pF capacitor and the supply current is typically less than 100μA. The Shutdown pin is referenced to the positive supply through an internal bias circuit (see the Simplified Schematic). An easy way to force shutdown is to use open-drain (collector) logic. The circuit shown in Figure 2 uses a 74C904 buffer to interface between 5V logic and the LT1210. The switching time between the active and shutdown states is about 1μs. A 24k pull-up resistor speeds

1210fa

APPLICATIONS INFORMATION

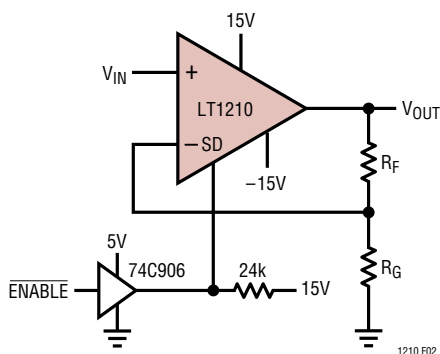


Figure 2. Shutdown Interface

up the turn-off time and ensures that the LT1210 is completely turned off. Because the pin is referenced to the positive supply, the logic used should have a breakdown voltage of greater than the positive supply voltage. No other circuitry is necessary as the internal circuit limits the Shutdown pin current to about 500µA. Figure 3 shows the resulting waveforms.

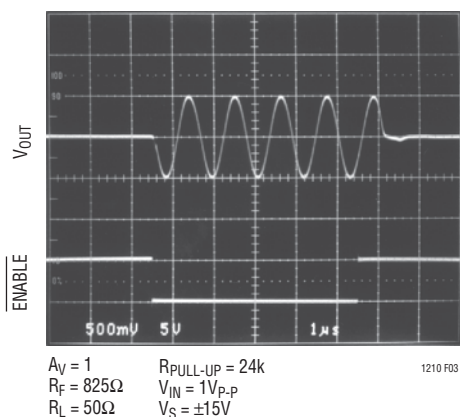


Figure 3. Shutdown Operation

For applications where the full bandwidth of the amplifier is not required, the quiescent current of the device may be reduced by connecting a resistor from the Shutdown pin to ground. The quiescent current will be approximately 65 times the current in the Shutdown pin. The voltage across the resistor in this condition is $V^+ - 3V_{BE}$. For example, a 82k resistor will set the quiescent supply current to 9mA with $V_S = \pm 15V$.

The photos in Figures 4a and 4b show the effect of reducing the quiescent supply current on the large-signal

response. The quiescent current can be reduced to 9mA in the inverting configuration without much change in response. In noninverting mode, however, the slew rate is reduced as the quiescent current is reduced.

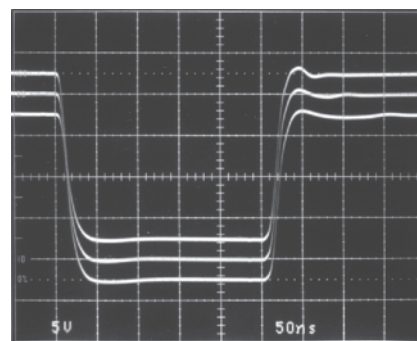


Figure 4a. Large-Signal Response vs I_Q , $A_V = -1$

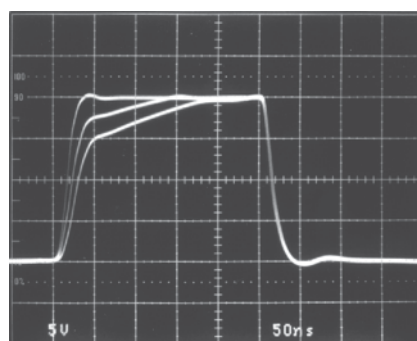


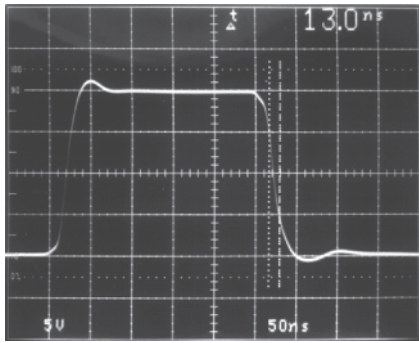
Figure 4b. Large-Signal Response vs I_Q , $A_V = 2$

Slew Rate

Unlike a traditional op amp, the slew rate of a current feedback amplifier is not independent of the amplifier gain configuration. There are slew rate limitations in both the input stage and the output stage. In the inverting mode, and for higher gains in the noninverting mode, the signal amplitude on the input pins is small and the overall slew rate is that of the output stage. The input stage slew rate is related to the quiescent current and will be reduced as the supply current is reduced. The output slew rate is set by the value of the feedback resistors and the internal capacitance. Larger feedback resistors will reduce the slew rate as will lower supply voltages, similar to the way

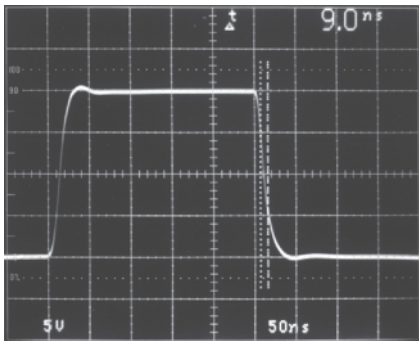
APPLICATIONS INFORMATION

the bandwidth is reduced. The photos in Figures 5a, 5b and 5c show the large-signal response of the LT1210 for various gain configurations. The slew rate varies from 770V/ μ s for a gain of 1, to 1100V/ μ s for a gain of -1 .



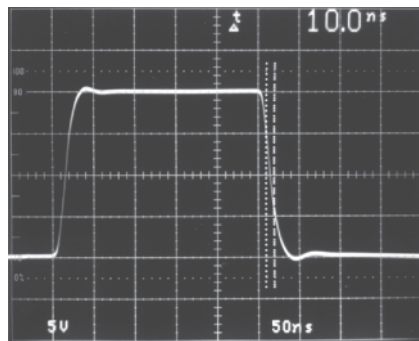
$R_F = 825\Omega$ $V_S = \pm 15V$ $R_L = 10\Omega$ 1210 F05a

Figure 5a. Large-Signal Response, $A_V = 1$



$R_F = R_G = 750\Omega$ $V_S = \pm 15V$ $R_L = 10\Omega$ 1210 F05b

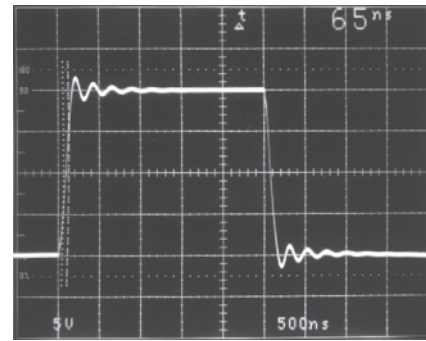
Figure 5b. Large-Signal Response, $A_V = -1$



$R_F = R_G = 750\Omega$ $V_S = \pm 15V$ $R_L = 10\Omega$ 1210 F05c

Figure 5c. Large-Signal Response, $A_V = 2$

When the LT1210 is used to drive capacitive loads, the available output current can limit the overall slew rate. In the fastest configuration, the LT1210 is capable of a slew rate of over 1V/ns. The current required to slew a capacitor at this rate is 1mA per picofarad of capacitance, so 10,000pF would require 10A! The photo (Figure 6) shows the large-signal behavior with $C_L = 10,000\text{pF}$. The slew rate is about 150V/ μ s, determined by the current limit of 1.5A.



$R_F = R_G = 3k$ $V_S = \pm 15V$ $R_L = \infty$ 1210 F06

Figure 6. Large-Signal Response, $C_L = 10,000\text{pF}$

Differential Input Signal Swing

The differential input swing is limited to about $\pm 6V$ by an ESD protection device connected between the inputs. In normal operation, the differential voltage between the input pins is small, so this clamp has no effect; however, in the shutdown mode the differential swing can be the same as the input swing. The clamp voltage will then set the maximum allowable input voltage. To allow for some margin, it is recommended that the input signal be less than $\pm 5V$ when the device is shut down.

Capacitance on the Inverting Input

Current feedback amplifiers require resistive feedback from the output to the inverting input for stable operation. Take care to minimize the stray capacitance between the output and the inverting input. Capacitance on the inverting input to ground will cause peaking in the frequency response (and overshoot in the transient response), but it does not degrade the stability of the amplifier.

APPLICATIONS INFORMATION

Power Supplies

The LT1210 will operate from single or split supplies from $\pm 5V$ (10V total) to $\pm 15V$ (30V total). It is not necessary to use equal value split supplies, however the offset voltage and inverting input bias current will change. The offset voltage changes about $500\mu V$ per volt of supply mismatch. The inverting bias current can change as much as $5\mu A$ per volt of supply mismatch, though typically the change is less than $0.5\mu A$ per volt.

Power Supply Bypassing

To obtain the maximum output and the minimum distortion from the LT1210, the power supply rails should be well bypassed. For example, with the output stage pouring 1A current peaks into the load, a 1Ω power supply impedance will cause a droop of 1V, reducing the available output swing by that amount. Surface mount tantalum and ceramic capacitors make excellent low ESR bypass elements when placed close to the chip. For frequencies above 100kHz, use $1\mu F$ and 100nF ceramic capacitors. If significant power must be delivered below 100kHz, capacitive reactance becomes the limiting factor. Larger ceramic or tantalum capacitors, such as $4.7\mu F$, are recommended in place of the $1\mu F$ unit mentioned above.

Inadequate bypassing is evidenced by reduced output swing and “distorted” clipping effects when the output is driven to the rails. If this is observed, check the supply pins of the device for ripple directly related to the output waveform. Significant supply modulation indicates poor bypassing.

Thermal Considerations

The LT1210 contains a thermal shutdown feature which protects against excessive internal (junction) temperature. If the junction temperature of the device exceeds the protection threshold, the device will begin cycling between normal operation and an off state. The cycling is not harmful to the part. The thermal cycling occurs at a slow rate, typically 10ms to several seconds, which depends on the power dissipation and the thermal time constants of the package and heat sinking. Raising the ambient temperature until the device begins thermal shutdown gives a good indication of how much margin there is in the thermal design.

For surface mount devices heat sinking is accomplished by using the heat spreading capabilities of the PC board and its copper traces. Experiments have shown that the heat spreading copper layer does not need to be electrically connected to the tab of the device. The PCB material can be very effective at transmitting heat between the pad area attached to the tab of the device, and a ground or power plane layer either inside or on the opposite side of the board. Although the actual thermal resistance of the PCB material is high, the length/area ratio of the thermal resistance between the layer is small. Copper board stiffeners and plated through holes can also be used to spread the heat generated by the device.

Tables 1 and 2 list thermal resistance for each package. For the TO-220 package, thermal resistance is given for junction-to-case only since this package is usually mounted to a heat sink. Measured values of thermal resistance for several different board sizes and copper areas are listed for each surface mount package. All measurements were taken in still air on 3/32" FR-4 board with 2 oz copper. This data can be used as a rough guideline in estimating thermal resistance. The thermal resistance for each application will be affected by thermal interactions with other components as well as board size and shape.

Table 1. R Package, 7-Lead DD

| COPPER AREA | | BOARD AREA | THERMAL RESISTANCE (JUNCTION-TO-AMBIENT) |
|-------------|-------------|-------------|---|
| TOPSIDE* | BACKSIDE | | |
| 2500 sq. mm | 2500 sq. mm | 2500 sq. mm | 25°C/W |
| 1000 sq. mm | 2500 sq. mm | 2500 sq. mm | 27°C/W |
| 125 sq. mm | 2500 sq. mm | 2500 sq. mm | 35°C/W |

*Tab of device attached to topside copper

Table 2. Fused 16-Lead SO Package

| COPPER AREA | | BOARD AREA | THERMAL RESISTANCE (JUNCTION-TO-AMBIENT) |
|-------------|-------------|-------------|---|
| TOPSIDE | BACKSIDE | | |
| 2500 sq. mm | 2500 sq. mm | 5000 sq. mm | 40°C/W |
| 1000 sq. mm | 2500 sq. mm | 3500 sq. mm | 46°C/W |
| 600 sq. mm | 2500 sq. mm | 3100 sq. mm | 48°C/W |
| 180 sq. mm | 2500 sq. mm | 2680 sq. mm | 49°C/W |
| 180 sq. mm | 1000 sq. mm | 1180 sq. mm | 56°C/W |
| 180 sq. mm | 600 sq. mm | 780 sq. mm | 58°C/W |
| 180 sq. mm | 300 sq. mm | 480 sq. mm | 59°C/W |
| 180 sq. mm | 100 sq. mm | 280 sq. mm | 60°C/W |
| 180 sq. mm | 0 sq. mm | 180 sq. mm | 61°C/W |

APPLICATIONS INFORMATION

T7 Package, 7-Lead TO-220

Thermal Resistance (Junction-to-Case) = 5°C/W

Calculating Junction Temperature

The junction temperature can be calculated from the equation:

$$T_J = (P_D)(\theta_{JA}) + T_A$$

where:

T_J = Junction Temperature

T_A = Ambient Temperature

P_D = Device Dissipation

θ_{JA} = Thermal Resistance (Junction-to-Ambient)

As an example, calculate the junction temperature for the circuit in Figure 7 for the SO and R packages assuming a 70°C ambient temperature.

The device dissipation can be found by measuring the supply currents, calculating the total dissipation and then subtracting the dissipation in the load and feedback network.

$$P_D = (76\text{mA})(10\text{V}) - (1.4\text{V})^2 / 10 = 0.56\text{W}$$

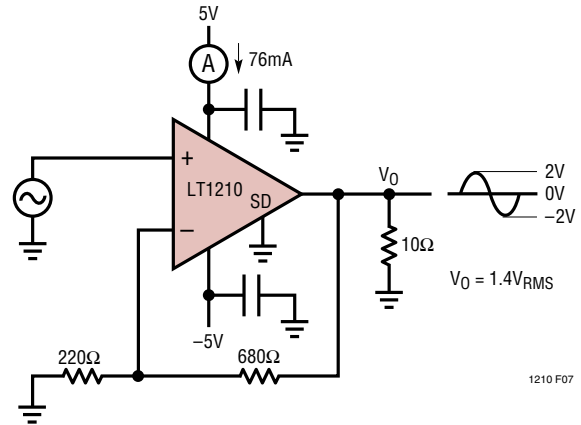


Figure 7

then:

$$T_J = (0.56\text{W})(46^\circ\text{C/W}) + 70^\circ\text{C} = 96^\circ\text{C}$$

for the SO package with 1000 sq. mm topside heat sinking

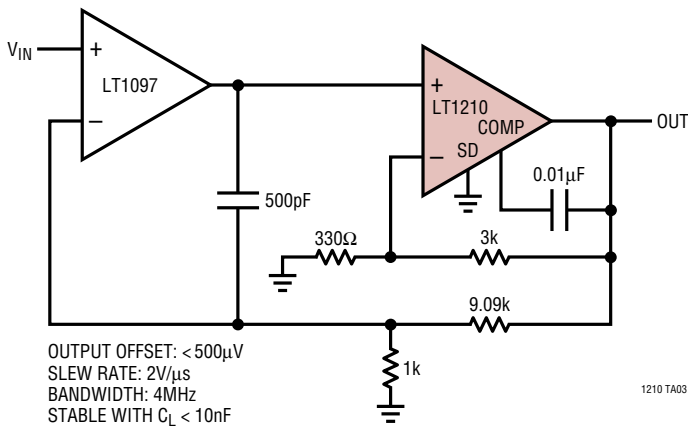
$$T_J = (0.56\text{W})(27^\circ\text{C/W}) + 70^\circ\text{C} = 85^\circ\text{C}$$

for the R package with 1000 sq. mm topside heat sinking

Since the maximum junction temperature is 150°C, both packages are clearly acceptable.

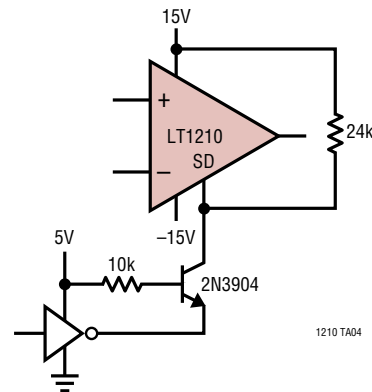
TYPICAL APPLICATIONS

Precision ×10 High Current Amplifier



1210 TA03

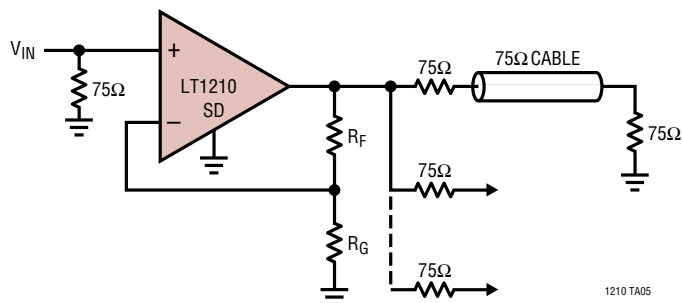
CMOS Logic to Shutdown Interface



1210 TA04

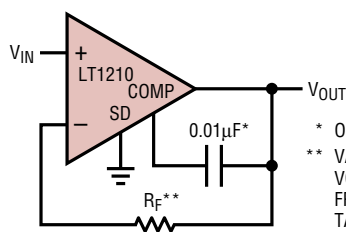
TYPICAL APPLICATIONS

Distribution Amplifier



1210 TA05

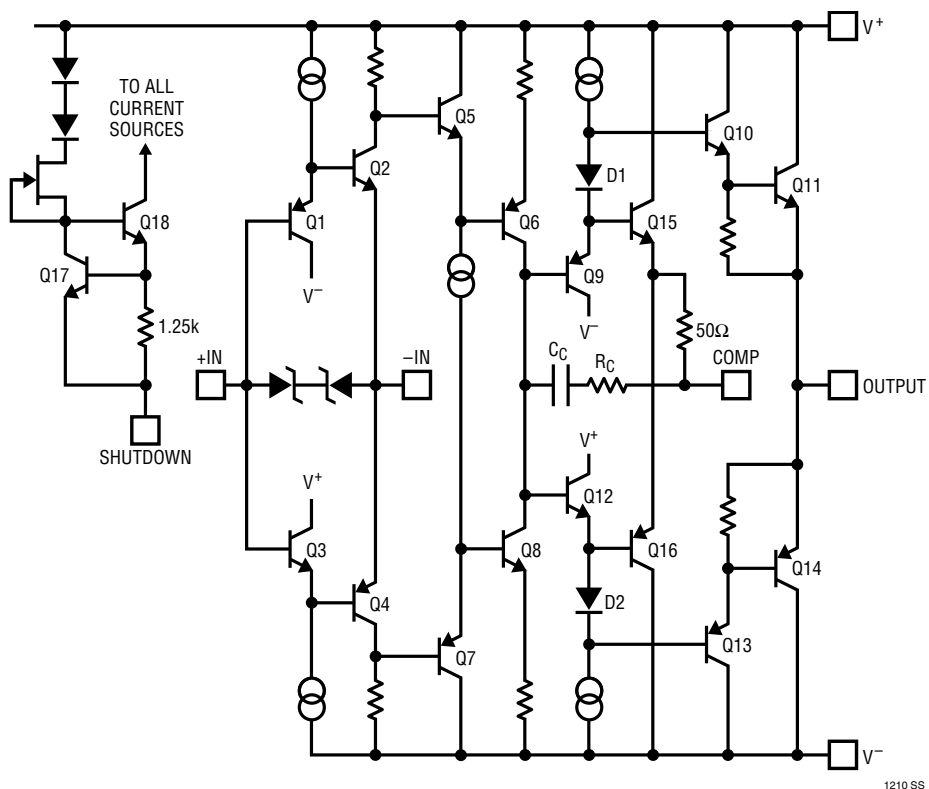
Buffer $A_V = 1$



* OPTIONAL, USE WITH CAPACITIVE LOADS
 ** VALUE OF R_F DEPENDS ON SUPPLY VOLTAGE AND LOADING. SELECT FROM TYPICAL AC PERFORMANCE TABLE OR DETERMINE EMPIRICALLY

1210 TA06

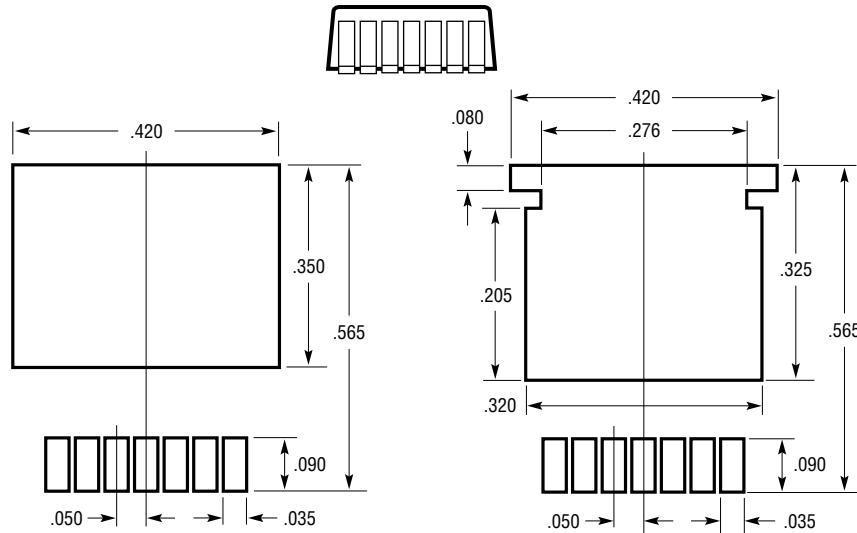
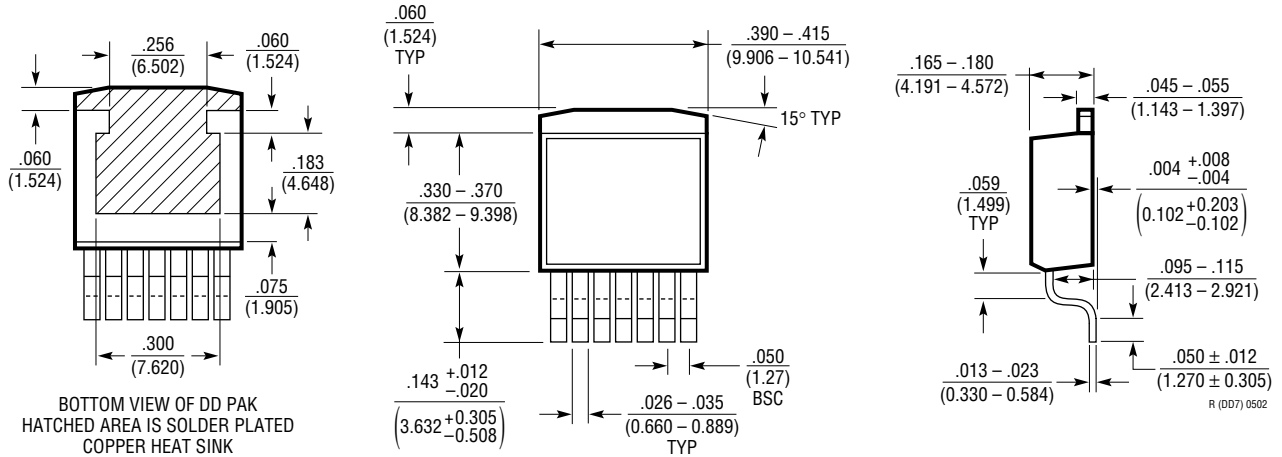
SIMPLIFIED SCHEMATIC



1210 SS

PACKAGE DESCRIPTION

R Package
7-Lead Plastic DD Pak
 (Reference LTC DWG # 05-08-1462)

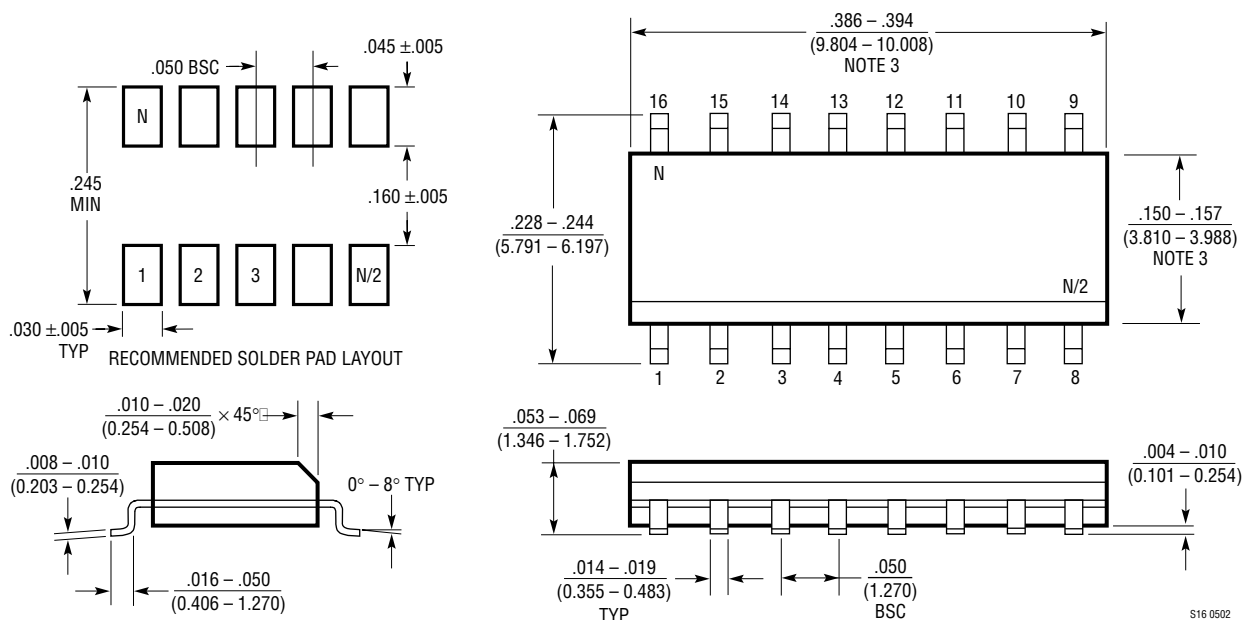


RECOMMENDED SOLDER PAD LAYOUT
 NOTE:
 1. DIMENSIONS IN INCH/(MILLIMETER)
 2. DRAWING NOT TO SCALE

RECOMMENDED SOLDER PAD LAYOUT
 FOR THICKER SOLDER PASTE APPLICATIONS

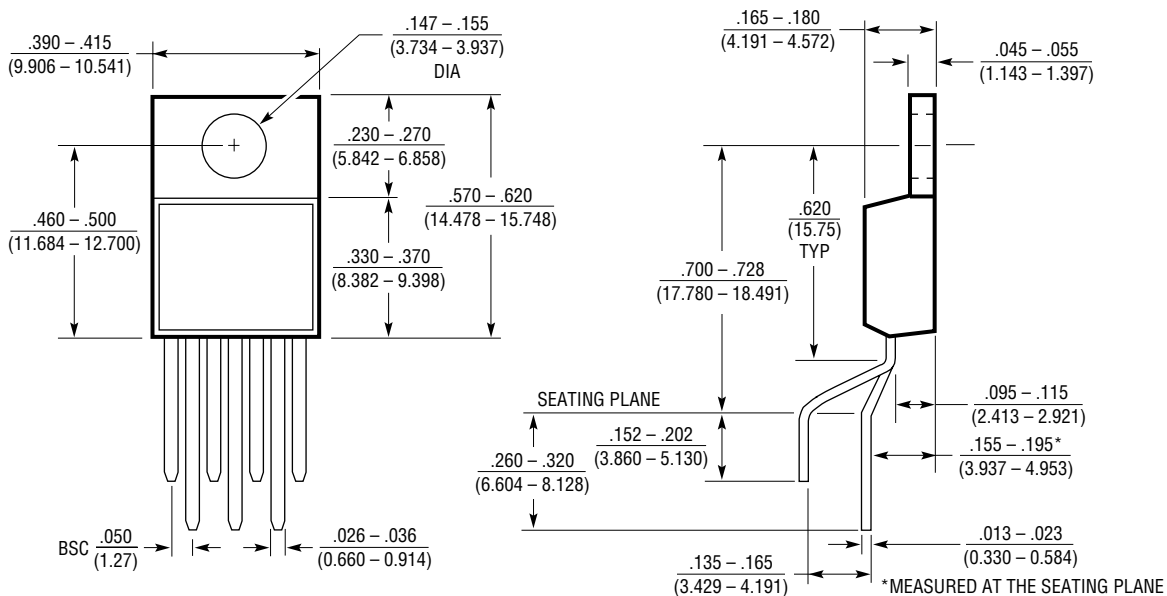
PACKAGE DESCRIPTION

S Package 16-Lead Plastic Small Outline (Narrow .150 Inch) (Reference LTC DWG # 05-08-1610)



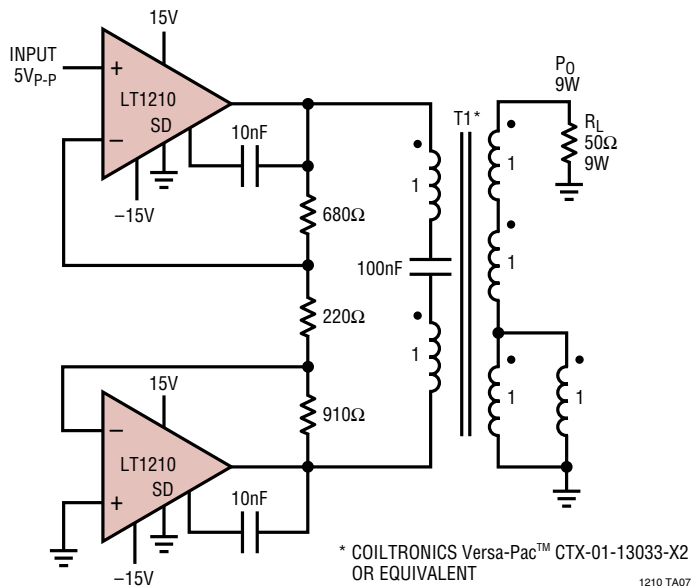
- NOTE:
1. DIMENSIONS IN $\frac{\text{INCHES}}{\text{MILLIMETERS}}$
 2. DRAWING NOT TO SCALE
 3. THESE DIMENSIONS DO NOT INCLUDE MOLD FLASH OR PROTRUSIONS. MOLD FLASH OR PROTRUSIONS SHALL NOT EXCEED $.006^*$ (0.15mm)

T7 Package 7-Lead Plastic TO-220 (Standard) (Reference LTC DWG # 05-08-1422)

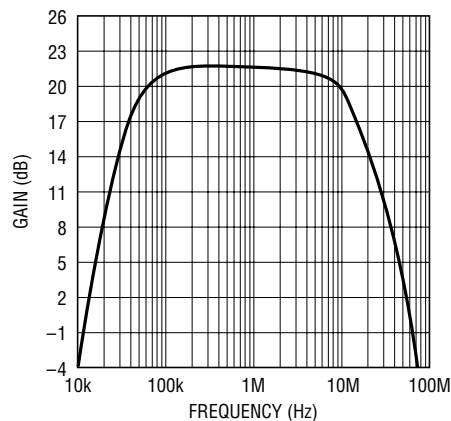


TYPICAL APPLICATION

Wideband 9W Bridge Amplifier



Frequency Response



RELATED PARTS

| PART NUMBER | DESCRIPTION | COMMENTS |
|-------------|---|--|
| LT1010 | Fast $\pm 150\text{mA}$ Power Buffer | 20MHz Bandwidth, $75\text{V}/\mu\text{s}$ Slew Rate |
| LT1166 | Power Output Stage Automatic Bias System | Sets Class AB Bias Currents for High Voltage/High Power Output Stages |
| LT1206 | Single 250mA, 60MHz Current Feedback Amplifier | Shutdown Function, Stable with $C_L = 10,000\text{pF}$, $900\text{V}/\mu\text{s}$ Slew Rate |
| LT1207 | Dual 250mA, 60MHz Current Feedback Amplifier | Dual Version of LT1206 |
| LT1227 | Single 140MHz Current Feedback Amplifier | Shutdown Function, $1100\text{V}/\mu\text{s}$ Slew Rate |
| LT1360 | Single 50MHz, $800\text{V}/\mu\text{s}$ Op Amp | Voltage Feedback, Stable with $C_L = 10,000\text{pF}$ |
| LT1363 | Single 70MHz, $1000\text{V}/\mu\text{s}$ Op Amp | Voltage Feedback, Stable with $C_L = 10,000\text{pF}$ |